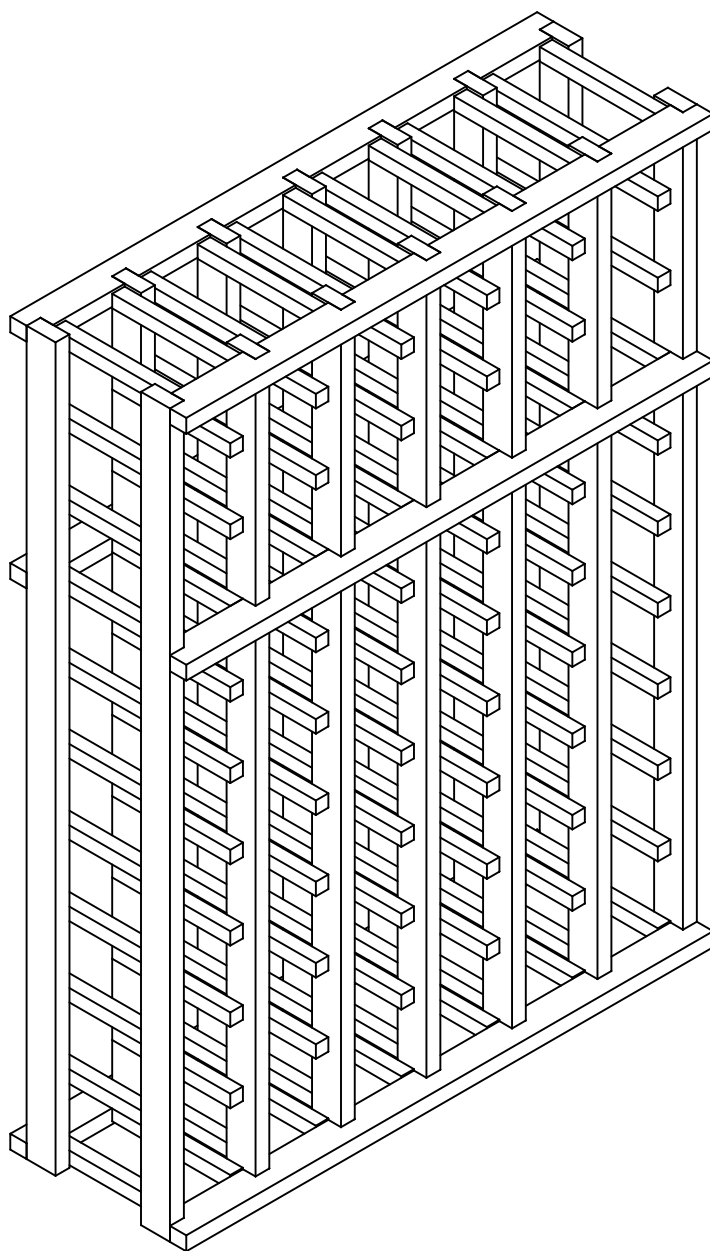
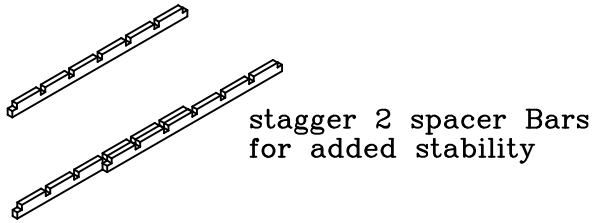


# Premium Clear Redwood Individual Half Height

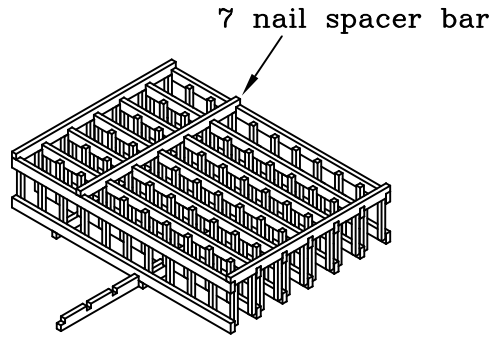


## Step 1:

- a. Place 3 spacer bars on the floor with notches facing up.



- b. Place (2) end and (5) double racks on the 3 floor spacer bars.



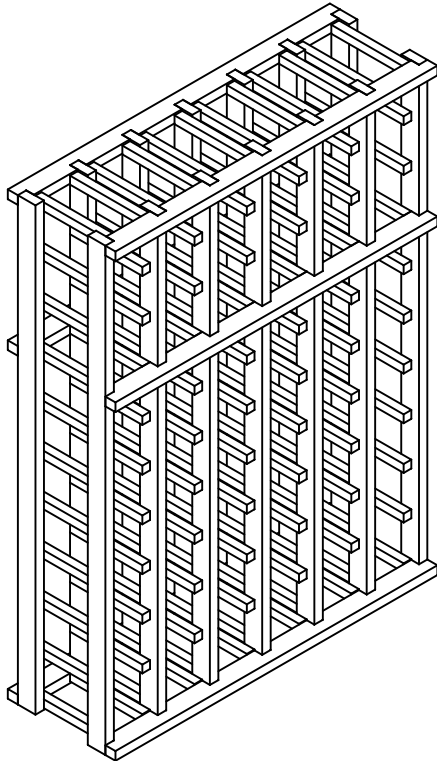
This position is temporary DO NOT nail these 3 Spacer bars to racks yet.

- c. Attach (3) spacer bars to racks with nails

Nail the nails into each spacer bar just on each end except the noted 7 nail spacer bar. This can be done with the provided nails or with a brad nailer.

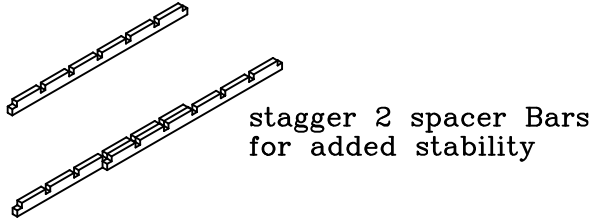
## Step 2:

Stand racks upright, remove (3) staggered spacer bars from floor and nail to other side of racks in the same manner as above.



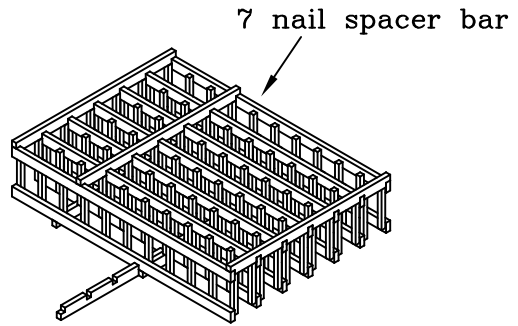
## Step 1:

- a. Place 3 spacer bars on the floor with notches facing up.



stagger 2 spacer Bars  
for added stability

- b. Place (2) end and (5) double racks on the 3 floor spacer bars.



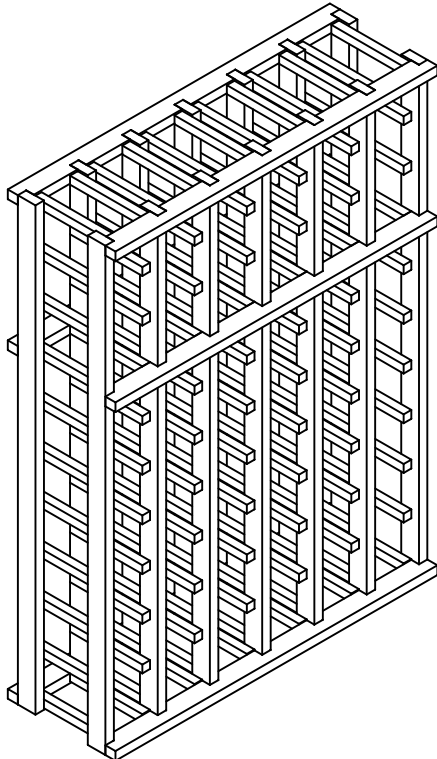
This position is temporary DO NOT nail these 3 Spacer bars to racks yet.

- c. Attach (3) spacer bars to racks with nails

Nail the nails into each spacer bar just on each end except the noted 7 nail spacer bar. This can be done with the provided nails or with a brad nailer.

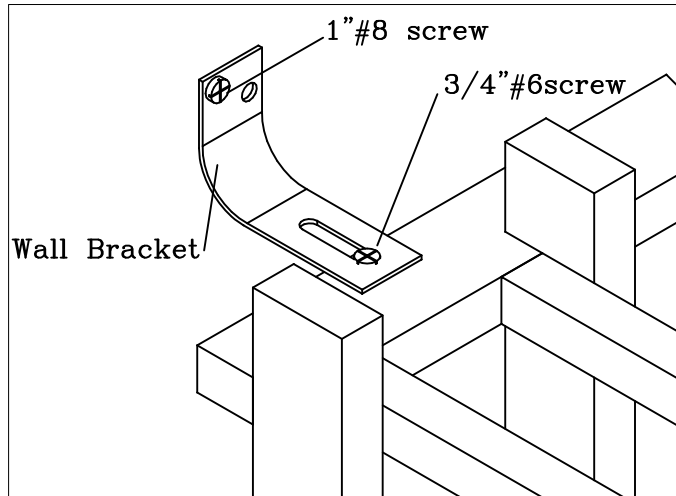
## Step 2:

Stand racks upright, remove (3) staggered spacer bars from floor and nail to other side of racks in the same manner as above.



# Final Step

Securing to wall



Secure rack to wall by attaching wall brackets to top back spacer bar or solid top. You will have 1 bracket on the left and 1 on the right.

Wine Rack is Complete

**Note: Always remove bottles before moving rack.**